

## 75 nsec, Ultra Low Power, Low Voltage, Rail-to-Rail Input Comparator with Open-Drain/Push-Pull Output

### General Description

The LMV7235/LMV7239/LMV7239Q are ultra low power, low voltage, 75 nsec comparators. They are guaranteed to operate over the full supply voltage range of 2.7V to 5.5V. These devices achieve a 75 nsec propagation delay while consuming only 65µA of supply current at 5V.

The LMV7235/LMV7239/LMV7239Q have a greater than rail-to-rail common mode voltage range. The input common mode voltage range extends 200mV below ground and 200mV above supply, allowing both ground and supply sensing.

The LMV7235 features an open drain output. By connecting an external resistor, the output of the comparator can be used as a level shifter.

The LMV7239/LMV7239Q features a push-pull output stage. This feature allows operation without the need of an external pull-up resistor.

The LMV7235/LMV7239/LMV7239Q are available in the 5-Pin SC70 and 5-Pin SOT23 packages, which are ideal for systems where small size and low power is critical.

### Features

( $V_S = 5V$ ,  $T_A = 25^\circ C$ )

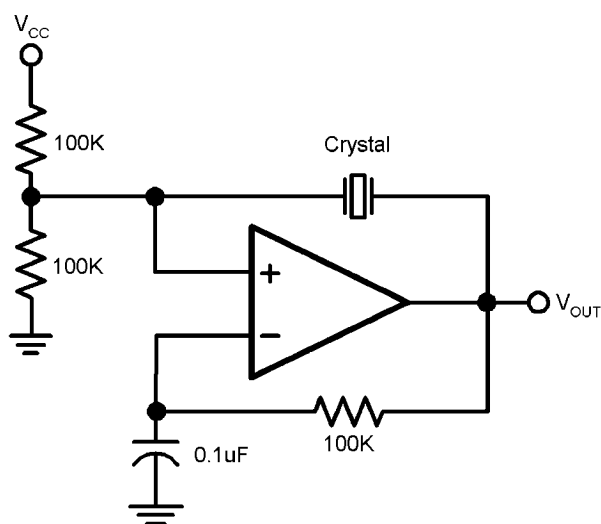
Typical values unless otherwise specified)

- Propagation delay 75 nsec
- Low supply current 65µA
- Rail-to-Rail input
- Open drain and push-pull output
- Ideal for 2.7V and 5V single supply applications
- Available in space saving packages
  - 5-pin SOT23
  - 5-pin SC70
- LMV7239Q is an automotive grade product that is AECQ grade 1 qualified and is manufactured on an automotive grade flow.

### Applications

- Portable and battery powered systems
- Scanners
- Set top boxes
- High speed differential line receiver
- Window comparators
- Zero-crossing detectors
- High speed sampling circuits
- Automotive

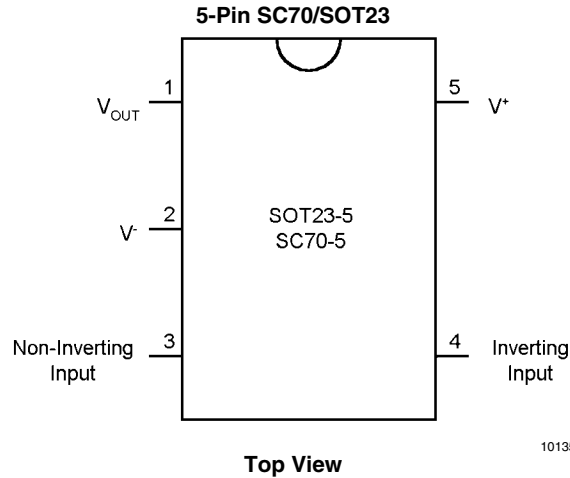
### Typical Application



Crystal Oscillator

10135902

## Connection Diagram

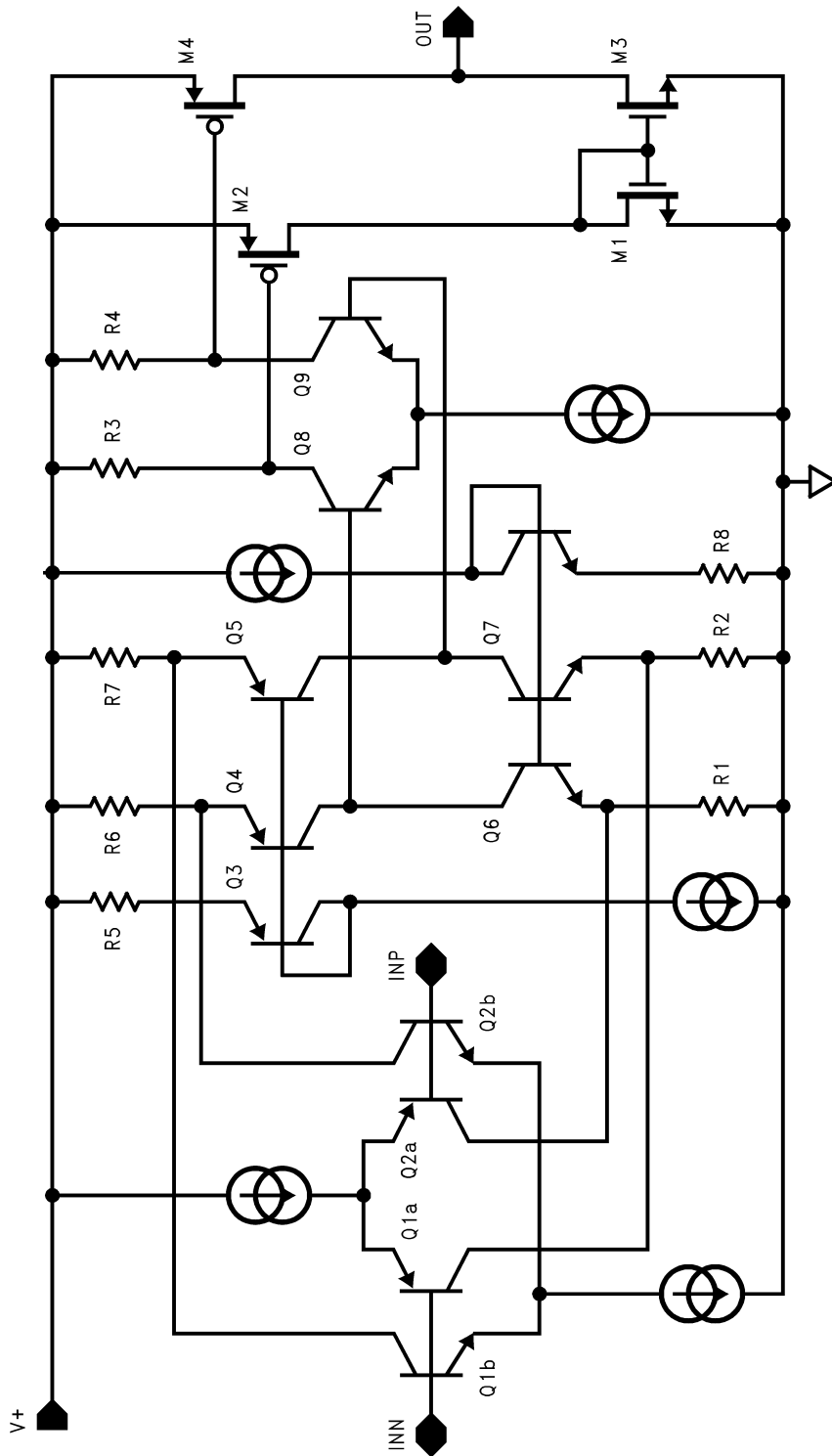


## Ordering Information

Package	Part Number	Marking	Supplied as	NSC Drawing
5-pin SC70	LMV7235M7	C21	1k Units Tape and Reel	MAA05A
	LMV7235M7X		3k Units Tape and Reel	
	LMV7239M7	C20	1k Units Tape and Reel	
	LMV7239M7X		3k Units Tape and Reel	
	LMV7239QM7	C42	1k Units Tape and Reel	
	LMV7239QM7X		3k Units Tape and Reel	
5-pin SOT23	LMV7235M5	C21A	1k Units Tape and Reel	MF05A
	LMV7235M5X		3k Units Tape and Reel	
	LMV7239M5	C20A	1k Units Tape and Reel	
	LMV7239M5X		3k Units Tape and Reel	

\* Automotive Grade (Q) product incorporates enhanced manufacturing and support processes for the automotive market, including defect detection methodologies. Reliability qualification is compliant with the requirements and temperature defined in the AEC-Q100 standard. Automotive grade products are defined with the letter Q. For more information, go to <http://www.national.com/automotive>.

# Simplified Schematic



10138901

**Absolute Maximum Ratings** (Note 1)

If Military/Aerospace specified devices are required, please contact the Texas Instruments Sales Office/ Distributors for availability and specifications.

## ESD Tolerance (Note 2)

Human Model Body	1000V
Machine Body	100V
Differential Input Voltage	± Supply Voltage
Output Short Circuit Duration	(Note 3)
Supply Voltage (V+ - V-)	6V
Soldering Information	
Infrared or Convection (20 sec)	235°C

Wave Soldering (10 sec)  
Voltage at Input/Output Pins  
Current at Input Pin (Note 9)

260°C (lead temp)  
(V+) +0.3V, (V-) -0.3V  
±10mA

**Operating Ratings**

Supply Voltages (V+ - V-)	2.7V to 5.5V
Temperature Range (Note 4)	-40°C to +125°C
Storage Temperature Range	-65°C to +150°C
Package Thermal Resistance	
5-Pin SC70	478°C/W
5-Pin SOT23	265°C/W

**2.7V Electrical Characteristics**

Unless otherwise specified, all limits guaranteed for  $T_A = 25^\circ\text{C}$ ,  $V_{CM} = V^+/2$ ,  $V^+ = 2.7\text{V}$ ,  $V^- = 0\text{V}$ . **Boldface** limits apply at the temperature extremes.

Symbol	Parameter	Conditions	Min (Note 6)	Typ (Note 5)	Max (Note 6)	Units	
$V_{OS}$	Input Offset Voltage			0.8	6 <b>8</b>	mV	
$I_B$	Input Bias Current			30	400 <b>600</b>	nA	
$I_{OS}$	Input Offset Current			5	200 <b>400</b>	nA	
CMRR	Common Mode Rejection Ratio	$0\text{V} < V_{CM} < 2.7\text{V}$ (Note 7)	52	62		dB	
PSRR	Power Supply Rejection Ratio	$V^+ = 2.7\text{V}$ to 5V	65	85		dB	
$V_{CM}$	Input Common-Mode Voltage Range	CMRR > 50dB	$V^- - 0.1\text{V}$	-0.2 to 2.9	$V^+ + 0.1\text{V}$	V	
$V_O$	Output Swing High (LMV7239 only)	$I_L = 4\text{mA}$ , $V_{ID} = 500\text{mV}$	$V^+ - 0.35$	$V^+ - 0.26$		V	
		$I_L = 0.4\text{mA}$ , $V_{ID} = 500\text{mV}$		$V^+ - 0.02$		V	
	Output Swing Low (LMV7235/LMV7239/LMV7239Q)	$I_L = -4\text{mA}$ , $V_{ID} = -500\text{mV}$		230	350 <b>450</b>		mV
		$I_L = -0.4\text{mA}$ , $V_{ID} = -500\text{mV}$		15			mV
$I_{SC}$	Output Short Circuit Current	Sourcing, $V_O = 0\text{V}$ (LMV7239 only) (Note 3)		15		mA	
		Sinking, $V_O = 2.7\text{V}$ (LMV7235, $R_L = 10\text{k}$ ) (Note 3)		20		mA	
$I_S$	Supply Current	No load		52	85 <b>100</b>	$\mu\text{A}$	
$t_{PD}$	Propagation Delay	Overdrive = 20mV $C_{LOAD} = 15\text{pF}$ (Note 10)		96		ns	
		Overdrive = 50mV $C_{LOAD} = 15\text{pF}$ (Note 10)		87		ns	
		Overdrive = 100mV $C_{LOAD} = 15\text{pF}$ (Note 10)		85		ns	

Symbol	Parameter	Conditions	Min (Note 6)	Typ (Note 5)	Max (Note 6)	Units
$t_{SKEW}$	Propagation Delay Skew (LMV7239 only)	Overdrive = 20mV (Note 8)		2		ns
$t_r$	Output Rise Time	LMV7239/LMV7239Q 10% to 90%		1.7		ns
		LMV7235 10% to 90% (Note 10)		112		ns
$t_f$	Output Fall Time	90% to 10%		1.7		ns
$I_{LEAKAGE}$	Output Leakage Current (LMV7235 only)			3		nA

## 5V Electrical Characteristics

Unless otherwise specified, all limits guaranteed for  $T_A = 25^\circ\text{C}$ ,  $V_{CM} = V^+/2$ ,  $V^+ = 5\text{V}$ ,  $V^- = 0\text{V}$ . **Boldface** limits apply at the temperature extremes.

Symbol	Parameter	Conditions	Min (Note 6)	Typ (Note 5)	Limits (Note 6)	Units	
$V_{OS}$	Input Offset Voltage			1	6 8	mV	
$I_B$	Input Bias Current			30	400 600	nA	
$I_{OS}$	Input Offset Current			5	200 400	nA	
CMRR	Common Mode Rejection Ratio	$0\text{V} < V_{CM} < 5\text{V}$	52	67		dB	
PSRR	Power Supply Rejection Ratio	$V^+ = 2.7\text{V}$ to $5\text{V}$	65	85		dB	
$V_{CM}$	Input Common-Mode Voltage Range	CMRR > 50dB	$V^- - 0.1\text{V}^-$	-0.2 to 5.2	$V^+ + 0.1\text{V}^+$	V	
$V_O$	Output Swing High (LMV7239 only)	$I_L = 4\text{mA}$ , $V_{ID} = 500\text{mV}$	$V^+ - 0.25$	$V^+ - 0.15$		V	
		$I_L = 0.4\text{mA}$ , $V_{ID} = 500\text{mV}$		$V^+ - 0.01$		V	
	Output Swing Low (LMV7235/LMV7239/LMV7239Q)	$I_L = -4\text{mA}$ , $V_{ID} = -500\text{mV}$		230	350 450		mV
		$I_L = -0.4\text{mA}$ , $V_{ID} = -500\text{mV}$		10			mV
$I_{SC}$	Output Short Circuit Current	Sourcing, $V_O = 0\text{V}$ (LMV7239 only) (Note 3)	25 15	55		mA	
		Sinking, $V_O = 5\text{V}$ (LMV7235, $R_L = 10\text{k}$ ) (Note 3)	30 20	60		mA	
$I_S$	Supply Current	No load		65	95 110	$\mu\text{A}$	
$t_{PD}$	Propagation Delay	Overdrive = 20mV $C_{LOAD} = 15\text{pF}$ (Note 10)		89		ns	
		Overdrive = 50mV $C_{LOAD} = 15\text{pF}$ (Note 10)		82		ns	
		Overdrive = 100mV $C_{LOAD} = 15\text{pF}$ (Note 10)		75		ns	
$t_{SKEW}$	Propagation Delay Skew (LMV7239 only)	Overdrive = 20mV (Note 8)		1		ns	

Symbol	Parameter	Conditions	Min (Note 6)	Typ (Note 5)	Limits (Note 6)	Units
$t_r$	Output Rise Time	LMV7239 10% to 90%		1.2		ns
		LMV7235 10% to 90% (Note 10)		100		ns
$t_f$	Output Fall Time	90% to 10%		1.2		ns
$I_{LEAKAGE}$	Output Leakage Current (LMV7235 only)			3		nA

**Note 1:** *Absolute Maximum Ratings* indicate limits beyond which damage to the device may occur. *Operating Ratings* indicate conditions for which the device is intended to be functional, but specific performance is not guaranteed. For guaranteed specifications and the test conditions, see the *Electrical Characteristics*.

**Note 2:** Human Body Model, applicable std. MIL-STD-883, Method 3015.7. Machine Model, applicable std. JESD22-A115-A (ESD MM std. of JEDEC)  
Field-Induced Charge-Device Model, applicable std. JESD22-C101-C (ESD FICDM std. of JEDEC).

**Note 3:** Applies to both single-supply and split-supply operation. Continuous short circuit operation at elevated ambient temperature can result in exceeding the maximum allowed junction temperature of 150°C. Output currents in excess of ±30mA over long term may adversely affect reliability.

**Note 4:** The maximum power dissipation is a function of  $T_{J(MAX)}$ ,  $\theta_{JA}$ . The maximum allowable power dissipation at any ambient temperature is  $P_D = (T_{J(MAX)} - T_A) / \theta_{JA}$ . All numbers apply for packages soldered directly onto a PC Board.

**Note 5:** Typical values represent the most likely parametric norm as determined at the time of characterization. Actual typical values may vary over time and will also depend on the application and configuration. The typical values are not tested and are not guaranteed on shipped production material.

**Note 6:** All limits are guaranteed by testing or statistical analysis.

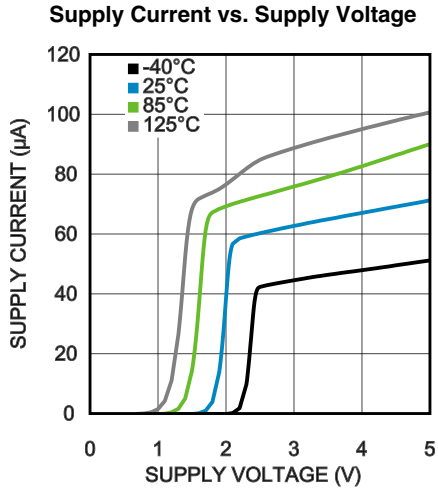
**Note 7:** CMRR is not linear over the common mode range. Limits are guaranteed over the worst case from 0 to  $V_{CC/2}$  or  $V_{CC/2}$  to  $V_{CC}$ .

**Note 8:** Propagation Delay Skew is defined as the absolute value of the difference between  $t_{PDLH}$  and  $t_{PDHL}$ .

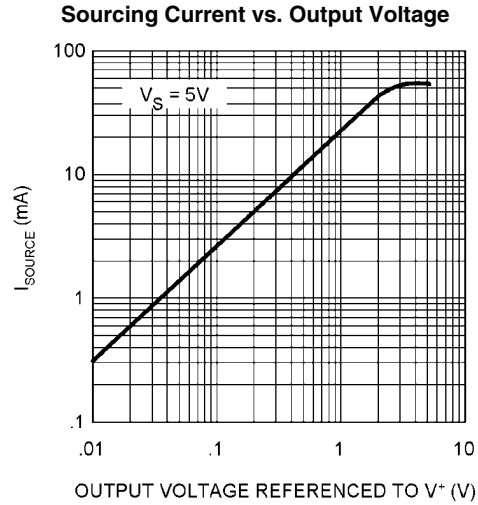
**Note 9:** Limiting input pin current is only necessary for input voltages that exceed absolute maximum input voltage ratings.

**Note 10:** A 10k pull-up resistor was used when measuring the LMV7235. The rise time of the LMV7235 is a function of the R-C time constant.

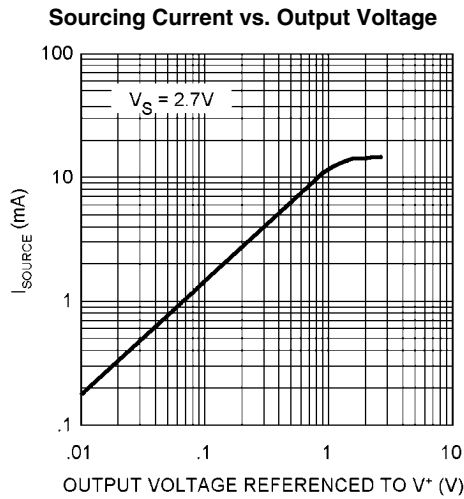
# Typical Performance Characteristics (Unless otherwise specified, $V_S = 5V$ , $C_L = 10pF$ , $T_A = 25^\circ C$ ).



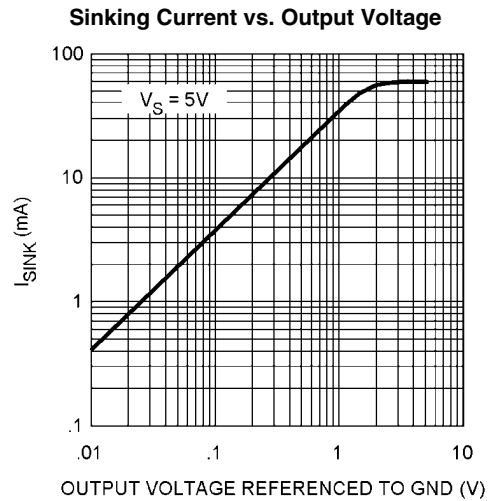
10135925



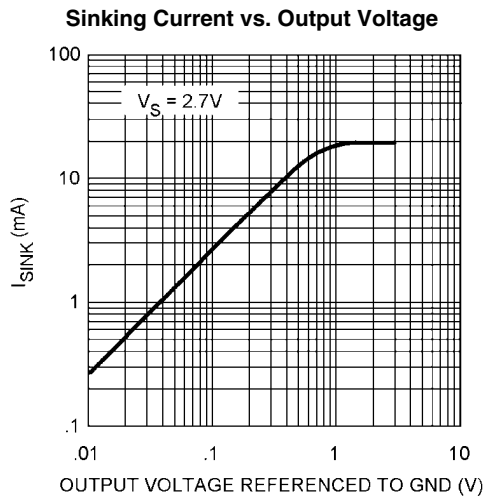
10135905



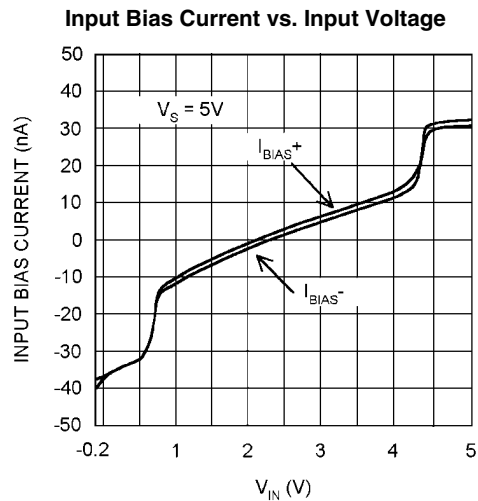
10135906



10135907

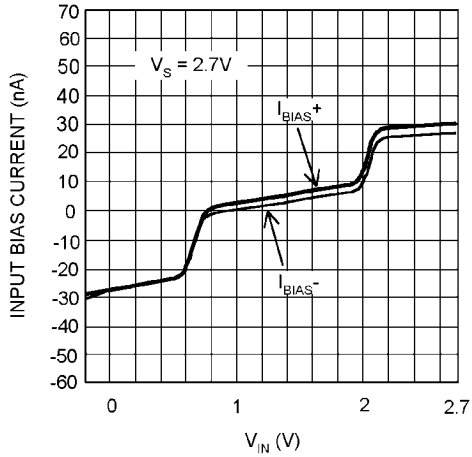


10135908



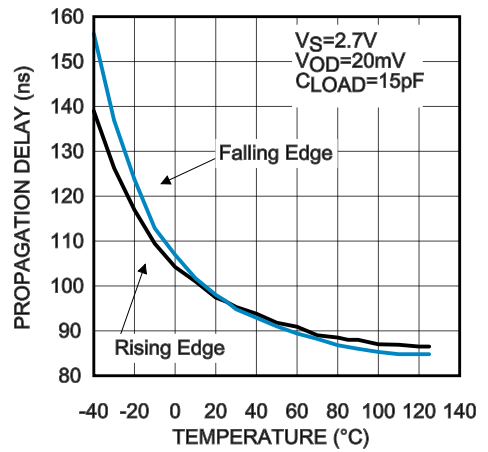
10135909

Input Bias Current vs. Input Voltage



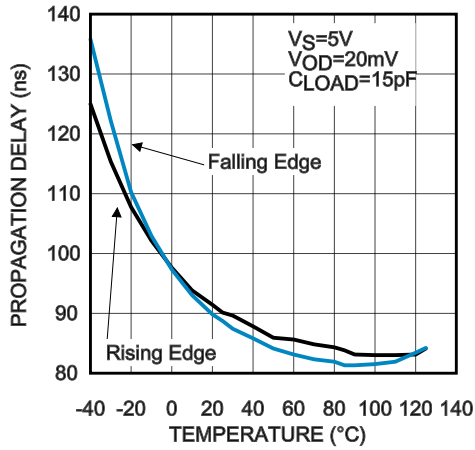
10135910

Propagation Delay vs. Temperature



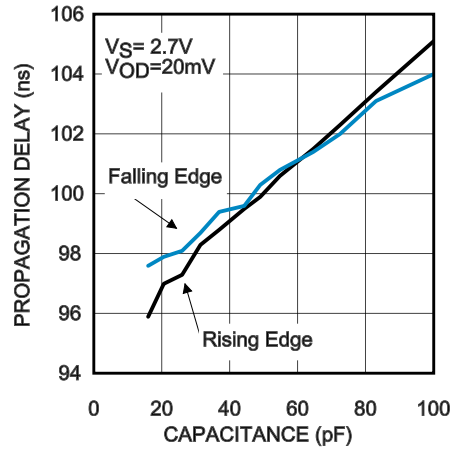
10135926

Propagation Delay vs. Temperature



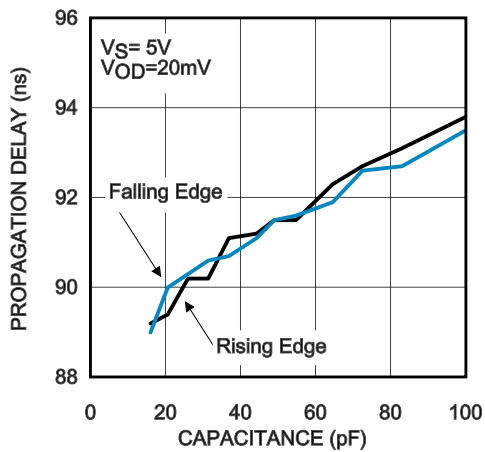
10135927

Propagation Delay vs. Capacitive Load



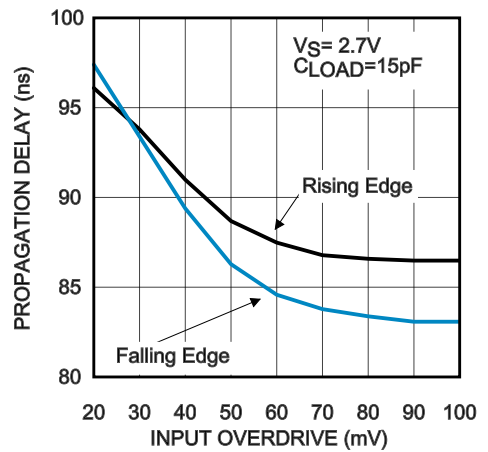
10135928

Propagation Delay vs. Capacitive Load



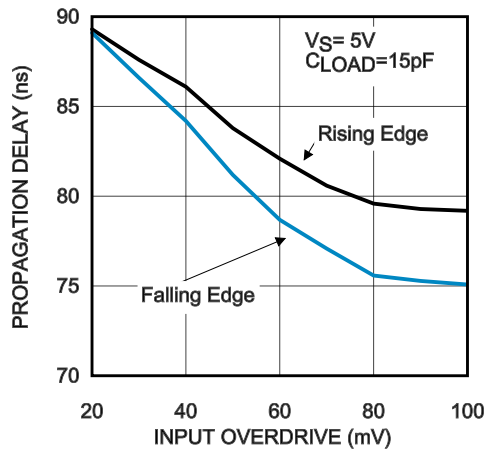
10135929

Propagation Delay vs. Input Overdrive



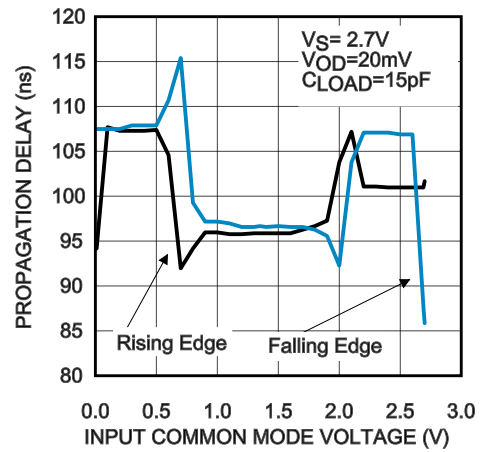
10135930

Propagation Delay vs. Input Overdrive



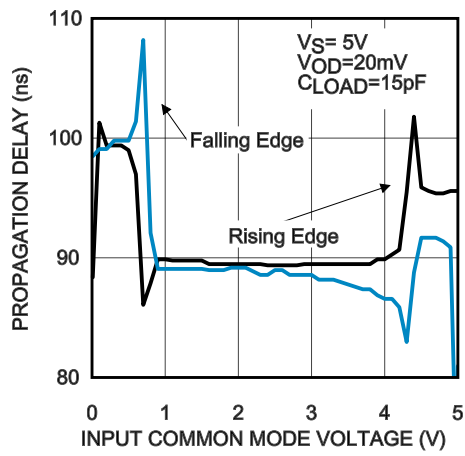
10135931

Propagation Delay vs. Common Mode Voltage



10135932

Propagation Delay vs. Common Mode Voltage



10135933

## Application Information

The LMV7235/LMV7239/LMV7239Q are single supply comparators with 75ns of propagation delay and only 65µA of supply current.

The LMV7235/LMV7239/LMV7239Q are rail-to-rail input and output. The typical input common mode voltage range of -0.2V below the ground to 0.2V above the supply. The LMV7235/LMV7239/LMV7239Q use a complimentary PNP and NPN input stage in which the PNP stage senses common mode voltage near V<sub>-</sub> and the NPN stage senses common mode voltage near V<sub>+</sub>. If either of the input signals falls below the negative common mode limit, the parasitic PN junction formed by the substrate and the base of the PNP will turn on resulting in an increase of input bias current.

If one of the input goes above the positive common mode limit, the output will still maintain the correct logic level as long as the other input stays within the common mode range. However, the propagation delay will increase. When both inputs are outside the common mode voltage range, current saturation occurs in the input stage, and the output becomes unpredictable.

The propagation delay does not increase significantly with large differential input voltages. However, large differential voltages greater than the supply voltage should be avoided to prevent damage to the input stage.

The LMV7239 has a push-pull output. When the output switches, there is a direct path between V<sub>CC</sub> and ground, causing high output sinking or sourcing current during the transition. After the transition, the output current decreases and the supply current settles back to about 65µA at 5V, thus conserving power consumption.

The LMV7235 has an open drain that requires a pull-up resistor to a positive supply voltage for the output to switch properly. When the internal output transistor is off, the output voltage will be pulled up to the external positive voltage.

### COMPARATOR WITH HYSTERESIS

The basic comparator configuration may oscillate or produce a noisy output if the applied differential input voltage is near the comparator's offset voltage. This usually happens when the input signal is moving very slowly across the comparator's switching threshold. This problem can be prevented by the addition of hysteresis or positive feedback.

### INVERTING COMPARATOR WITH HYSTERESIS

The inverting comparator with hysteresis requires a three resistor network that is referenced to the supply voltage V<sub>CC</sub> of the comparator, as shown in [Figure 1](#). When V<sub>IN</sub> at the inverting input is less than V<sub>A</sub>, the voltage at the non-inverting node of the comparator (V<sub>IN</sub> < V<sub>A</sub>), the output voltage is high (for simplicity assume V<sub>O</sub> switches as high as V<sub>CC</sub>). The three network resistors can be represented as R1||R3 in series with R2. The lower input trip voltage V<sub>A1</sub> is defined as

$$V_{A1} = V_{CC} R2 / [(R1||R3) + R2]$$

When V<sub>IN</sub> is greater than V<sub>A</sub> (V<sub>IN</sub> > V<sub>A</sub>), the output voltage is low, very close to ground. In this case the three network resistors can be presented as R2||R3 in series with R1. The upper trip voltage V<sub>A2</sub> is defined as

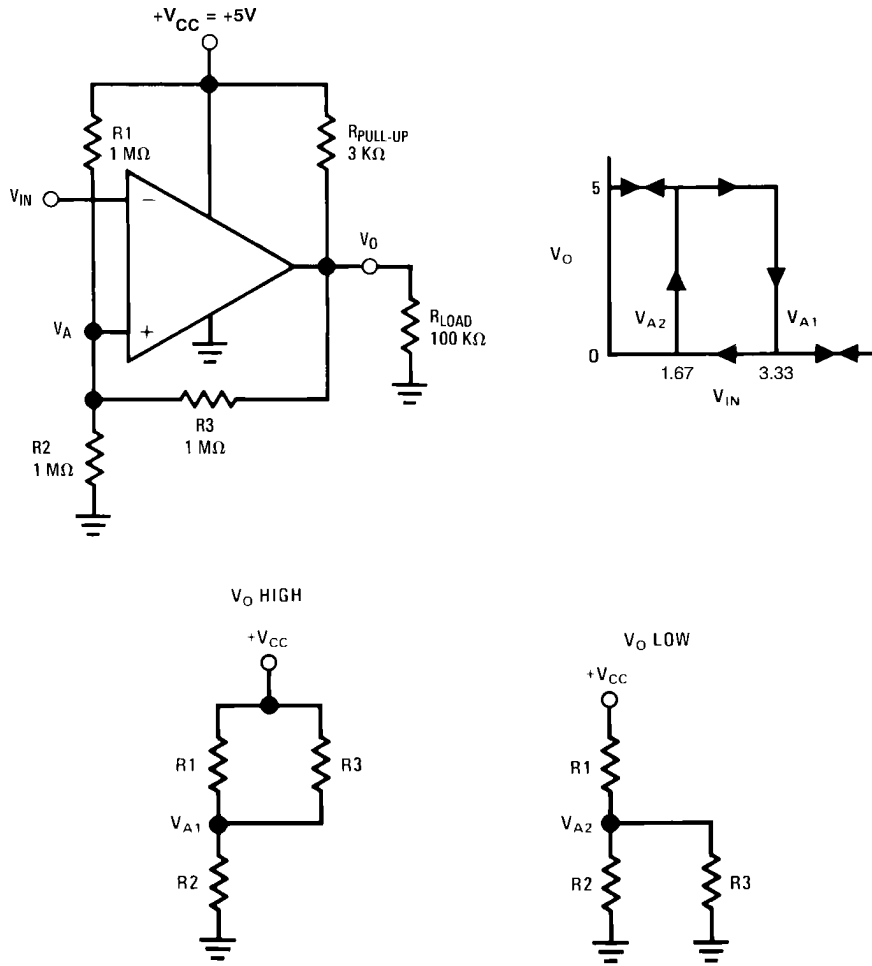
$$V_{A2} = V_{CC} (R2||R3) / [(R1) + (R2||R3)]$$

The total hysteresis provided by the network is defined as

$$\Delta V_A = V_{A1} - V_{A2}$$

To assure that the comparator will always switch fully to V<sub>CC</sub> and not be pulled down by the load the resistors, values should be chosen as follow:

$$R_{PULL-UP} \ll R_{LOAD}$$



10135919

**FIGURE 1. Inverting Comparator with Hysteresis**

**NON-INVERTING COMPARATOR WITH HYSTERESIS**

A non inverting comparator with hysteresis requires a two resistor network, and a voltage reference ( $V_{REF}$ ) at the inverting input. When  $V_{IN}$  is low, the output is also low. For the output to switch from low to high,  $V_{IN}$  must rise up to  $V_{IN1}$  where  $V_{IN1}$  is calculated by.

$$V_{IN1} = R1 * (V_{REF} / R2) + V_{REF}$$

When  $V_{IN}$  is high, the output is also high, to make the comparator switch back to it's low state,  $V_{IN}$  must equal  $V_{REF}$  before  $V_A$  will again equal  $V_{REF}$ .  $V_{IN}$  can be calculated by

$$V_{IN2} = [V_{REF} (R1 + R2) - V_{CC} R1] / R2$$

The hysteresis of this circuit is the difference between  $V_{IN1}$  and  $V_{IN2}$ .

$$\Delta V_{IN} = V_{CC} R1 / R2$$

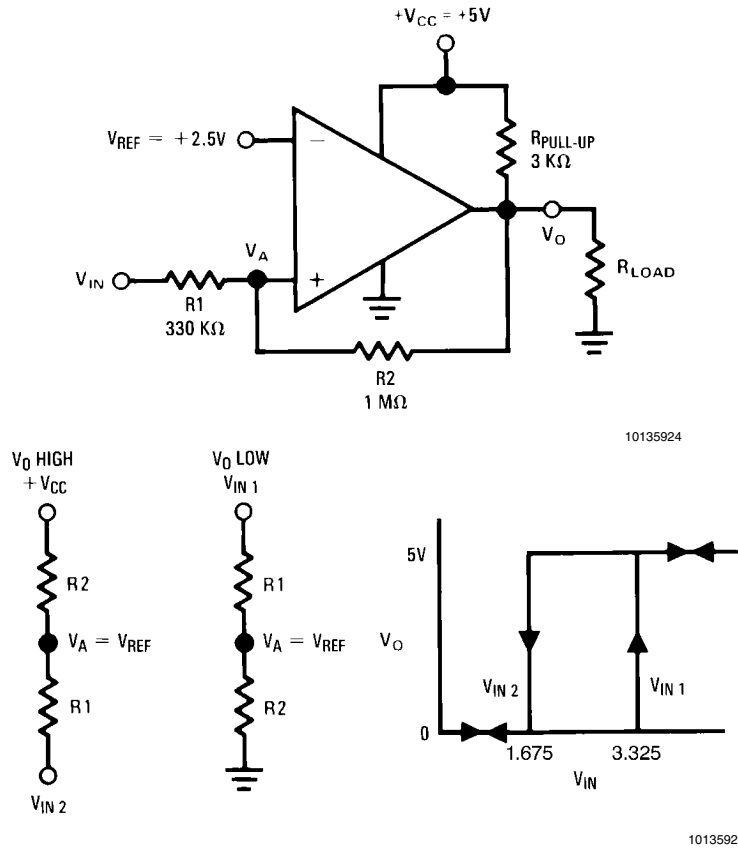


FIGURE 2. Non-Inverting Comparator with Hysteresis

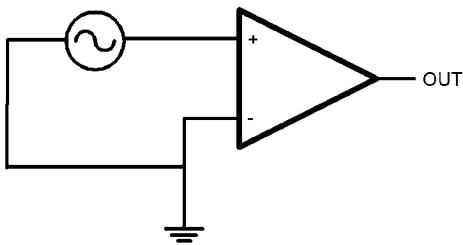
**CIRCUIT LAYOUT AND BYPASSING**

The LMV7235/LMV7239/LMV7239Q require high speed layout. Follow these layout guidelines:

1. Use printed circuit board with a good, unbroken low-inductance ground plane.
2. Place a decoupling capacitor (0.1µF ceramic surface mount capacitor) as close as possible to V<sub>CC</sub> pin.
3. On the inputs and the output, keep lead lengths as short as possible to avoid unwanted parasitic feedback around the comparator. Keep inputs away from output.
4. Solder the device directly to the printed circuit board rather than using a socket.
5. For slow moving input signals, take care to prevent parasitic feedback. A small capacitor (1000pF or less) placed between the inputs can help eliminate oscillations in the transition region. This capacitor causes some degradation to t<sub>PD</sub> when the source impedance is low.
6. The topside ground plane runs between the output and inputs.
7. Ground trace from the ground pin runs under the device up to the bypass capacitor, shielding the inputs from the outputs.

**ZERO-CROSSING DETECTOR**

The inverting input is connected to ground and the non-inverting input is connected to 100mVp-p signal. As the signal at the non-inverting input crosses 0V, the comparator's output changes state.

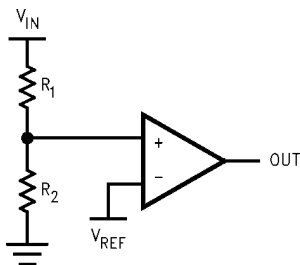


10135918

**FIGURE 3. Zero-Crossing Detector**

**THRESHOLD DETECTOR**

Instead of tying the inverting input to 0V, the inverting input can be tied to a reference voltage. The non-inverting input is connected to the input. As the input passes the V<sub>REF</sub> threshold, the comparator's output changes state.

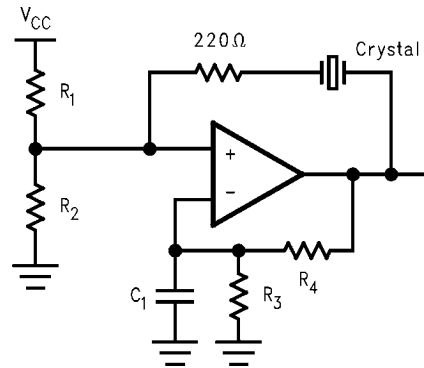


10135921

**FIGURE 4. Threshold Detector**

**CRYSTAL OSCILLATOR**

A simple crystal oscillator using the LMV7239 is shown below. Resistors R1 and R2 set the bias point at the comparator's non-inverting input. Resistors R3, R4 and C1 sets the inverting input node at an appropriate DC average level based on the output. The crystal's path provides resonant positive feedback and stable oscillation occurs. The output duty cycle for this circuit is roughly 50%, but it is affected by resistor tolerances and to a lesser extent by the comparator offset.

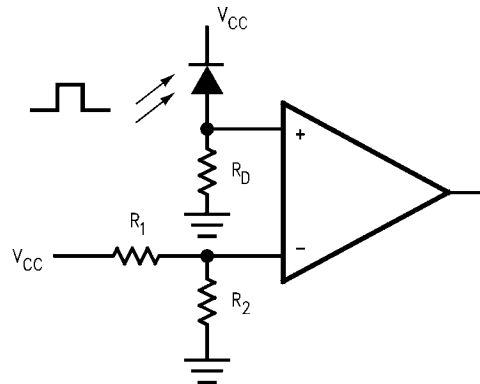


10135922

**FIGURE 5. Crystal Oscillator**

**IR RECEIVER**

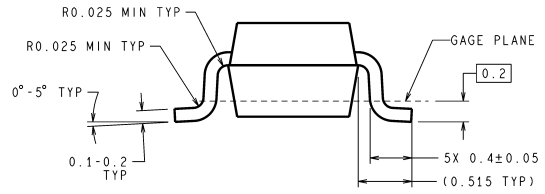
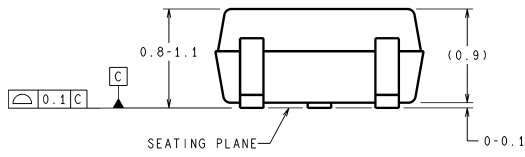
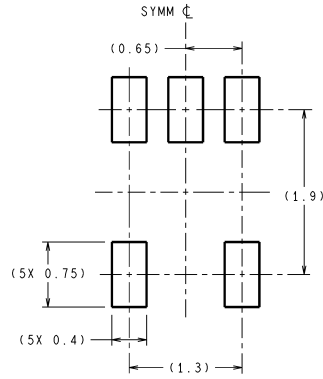
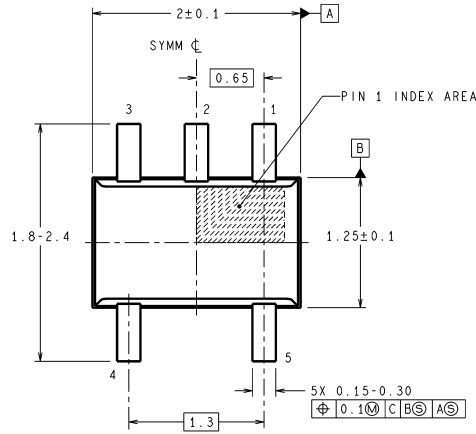
The LMV7239 is an ideal candidate to be used as an infrared receiver. The infrared photo diode creates a current relative to the amount of infrared light present. The current creates a voltage across R<sub>D</sub>. When this voltage level cross the voltage applied by the voltage divider to the inverting input, the output transitions.



10135923

**FIGURE 6. IR Receiver**

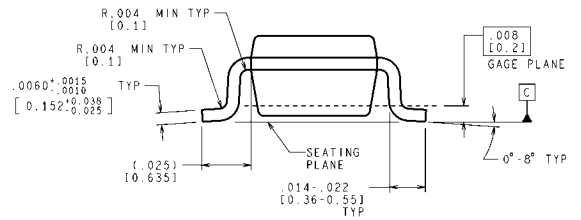
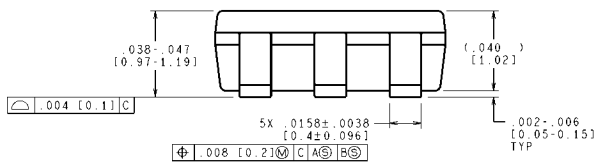
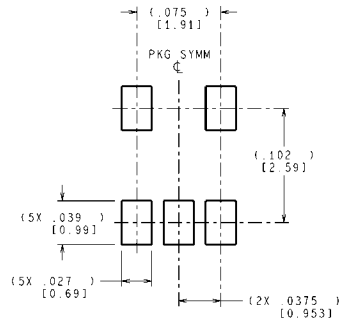
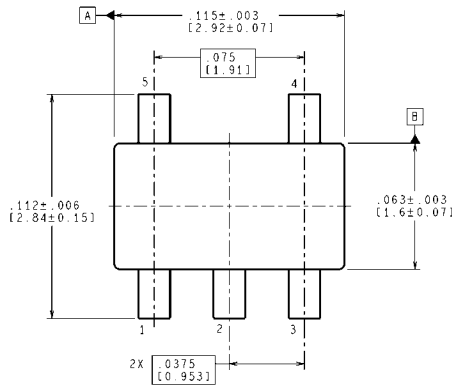
**Physical Dimensions** inches (millimeters) unless otherwise noted



DIMENSIONS ARE IN MILLIMETERS  
DIMENSIONS IN ( ) FOR REFERENCE ONLY

MAA05A (Rev D)

**5-Pin SC70**  
**NS Package Number MAA05A**



CONTROLLING DIMENSION IS INCH  
VALUES IN [ ] ARE MILLIMETERS  
DIMENSIONS IN ( ) FOR REFERENCE ONLY

MF05A (Rev D)

**5-Pin SOT23**  
**NS Package Number MF05A**

# Notes

## Notes

---

### TI/NATIONAL INTERIM IMPORTANT NOTICE

---

Texas Instruments has purchased National Semiconductor. As of Monday, September 26th, and until further notice, products sold or advertised under the National Semiconductor name or logo, and information, support and interactions concerning such products, remain subject to the preexisting National Semiconductor standard terms and conditions of sale, terms of use of website, and Notices (and/or terms previously agreed in writing with National Semiconductor, where applicable) and are not subject to any differing terms and notices applicable to other TI components, sales or websites. To the extent information on official TI and National websites and business social networking media, etc., pertains to both TI and National-branded products, both companies' instructions, warnings and limitations in the above-referenced terms of use apply.

Following are URLs where you can obtain information on other Texas Instruments products and application solutions:

Products		Applications	
Audio	<a href="http://www.ti.com/audio">www.ti.com/audio</a>	Communications and Telecom	<a href="http://www.ti.com/communications">www.ti.com/communications</a>
Amplifiers	<a href="http://amplifier.ti.com">amplifier.ti.com</a>	Computers and Peripherals	<a href="http://www.ti.com/computers">www.ti.com/computers</a>
Data Converters	<a href="http://dataconverter.ti.com">dataconverter.ti.com</a>	Consumer Electronics	<a href="http://www.ti.com/consumer-apps">www.ti.com/consumer-apps</a>
DLP® Products	<a href="http://www.dlp.com">www.dlp.com</a>	Energy and Lighting	<a href="http://www.ti.com/energy">www.ti.com/energy</a>
DSP	<a href="http://dsp.ti.com">dsp.ti.com</a>	Industrial	<a href="http://www.ti.com/industrial">www.ti.com/industrial</a>
Clocks and Timers	<a href="http://www.ti.com/clocks">www.ti.com/clocks</a>	Medical	<a href="http://www.ti.com/medical">www.ti.com/medical</a>
Interface	<a href="http://interface.ti.com">interface.ti.com</a>	Security	<a href="http://www.ti.com/security">www.ti.com/security</a>
Logic	<a href="http://logic.ti.com">logic.ti.com</a>	Space, Avionics and Defense	<a href="http://www.ti.com/space-avionics-defense">www.ti.com/space-avionics-defense</a>
Power Mgmt	<a href="http://power.ti.com">power.ti.com</a>	Transportation and Automotive	<a href="http://www.ti.com/automotive">www.ti.com/automotive</a>
Microcontrollers	<a href="http://microcontroller.ti.com">microcontroller.ti.com</a>	Video and Imaging	<a href="http://www.ti.com/video">www.ti.com/video</a>
RFID	<a href="http://www.ti-rfid.com">www.ti-rfid.com</a>	Wireless	<a href="http://www.ti.com/wireless-apps">www.ti.com/wireless-apps</a>
RF/IF and ZigBee® Solutions	<a href="http://www.ti.com/lprf">www.ti.com/lprf</a>	<b>TI E2E Community Home Page</b>	<a href="http://e2e.ti.com">e2e.ti.com</a>

Mailing Address: Texas Instruments, Post Office Box 655303, Dallas, Texas 75265

Copyright© 2011 Texas Instruments Incorporated